



CLASSIFIED
S7166

SEISMIC & FRAGILITY
TESTED

Q/A AVAILABLE AT
EXTRA COST



“THE McCABE LINK®”



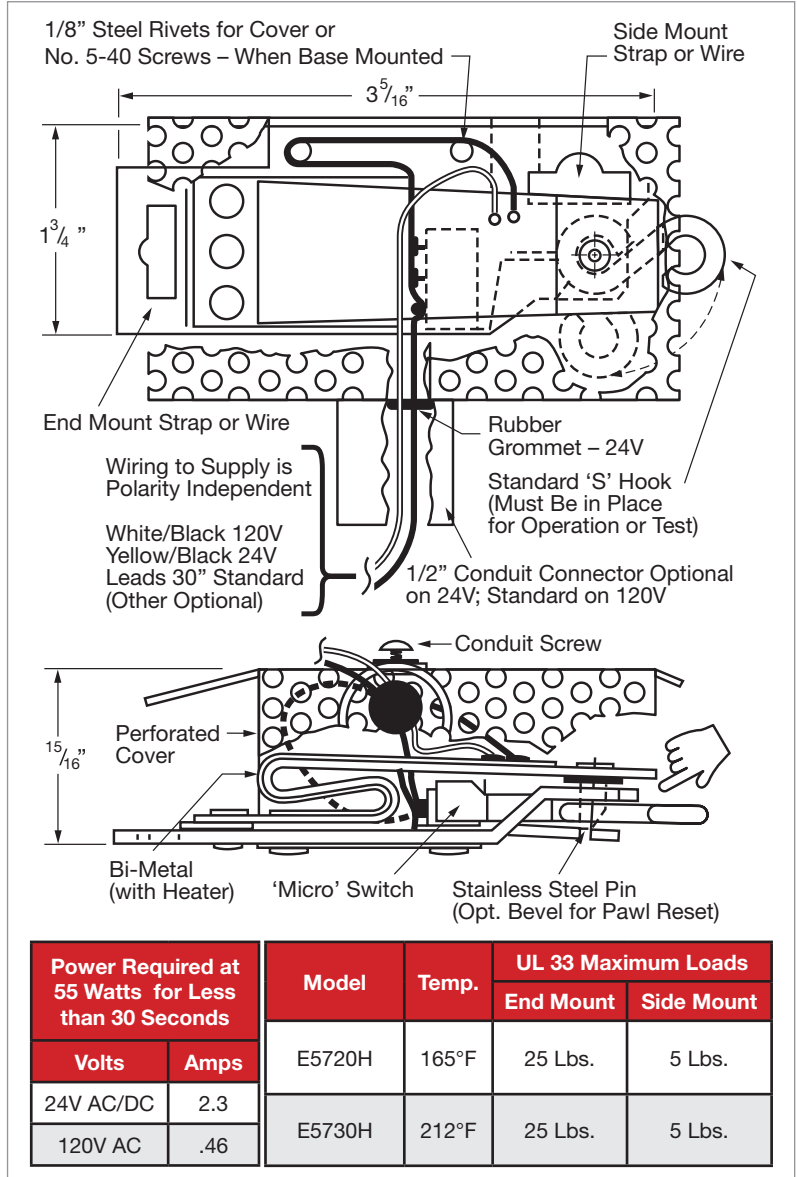
MODELS E5720H, E5730H ELECTRIC THERMAL “S” HOOK RESET

Underwriters Laboratories Classified Fire Alarm Equipment.
Bi-Metal Link meets all requirements under UL Standard No. 33.
Basic Links Franklin Institute & Wyle Labs Seismic & Fragility Tested.

FUSIBLE LINK NOT NEEDED

FEATURES:

- Permanent-Resettable repeatedly after testing including routine systems cycle testing for safe functioning operating tests with inspection.
- Can be operated two ways:
(1) Thermal, (2) Electrically
- Self protection link circuitry—link is ‘off’ when ‘S’ hook is out—so do NOT test without ‘S’ hook engaged.
- Corrosion resistant bimetal specialty steel, plated or encased parts.
- Can be used on all types of Smoke Curtains & Vents, Doors, Smoke Hatches, Foam & Chemical Release Systems & other applications.
- Pin releases standard ‘S’ hook on signal (heat or Electric), and returns in ambient air automatically to the normal position for resetting
- Indirect exposure to fast moving cold air time-to-operate may vary. Positioning or deflector will adjust.
- Always consult pertinent standards and local building authorities for installation requirements.
- These models are intended for indoor dry use only.



RESETTABLE FIRE LINK

“ACTUAL FIRE OPERATES THE SAME LINK YOU TESTED”



Globe Technologies Corporation • 1109 W. Cedar Street, Standish, Michigan 48658
• Tel: 989-846-9591 • Fax: 989-846-9697 • E-mail: mail@globetechnologies.com
www.globetechnologies.com



CLASSIFIED
S7166

SEISMIC & FRAGILITY
TESTED

Q/A AVAILABLE AT
EXTRA COST



“THE McCABE LINK®”

MODELS E5720H, E5730H



ELECTRIC OPERATIONS WITH STANDARD WIRING

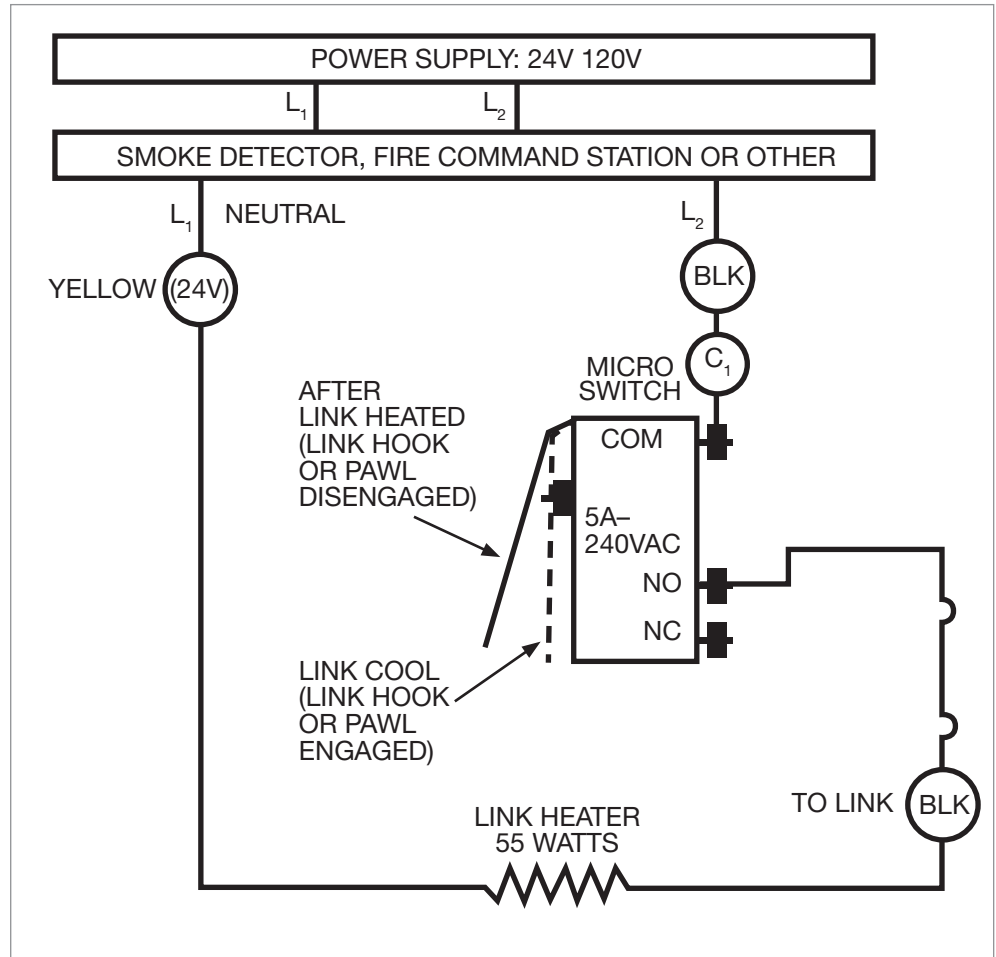
Standard Links Have Only 2 Wires

24V – Black/Yellow
120V – Black/White

24V = 2.3 AMPS
120V = .46 AMPS

NOTES:

- Operating up to four links from each detector circuit is possible for sequenced operation if within detector output ratings.
- 30” leads standard wiring



RESETTABLE FIRE LINK

“ACTUAL FIRE OPERATES THE SAME LINK YOU TESTED”



Globe Technologies Corporation • 1109 W. Cedar Street, Standish, Michigan 48658
 • Tel: 989-846-9591 • Fax: 989-846-9697 • E-mail: mail@globetechnologies.com
www.globetechnologies.com